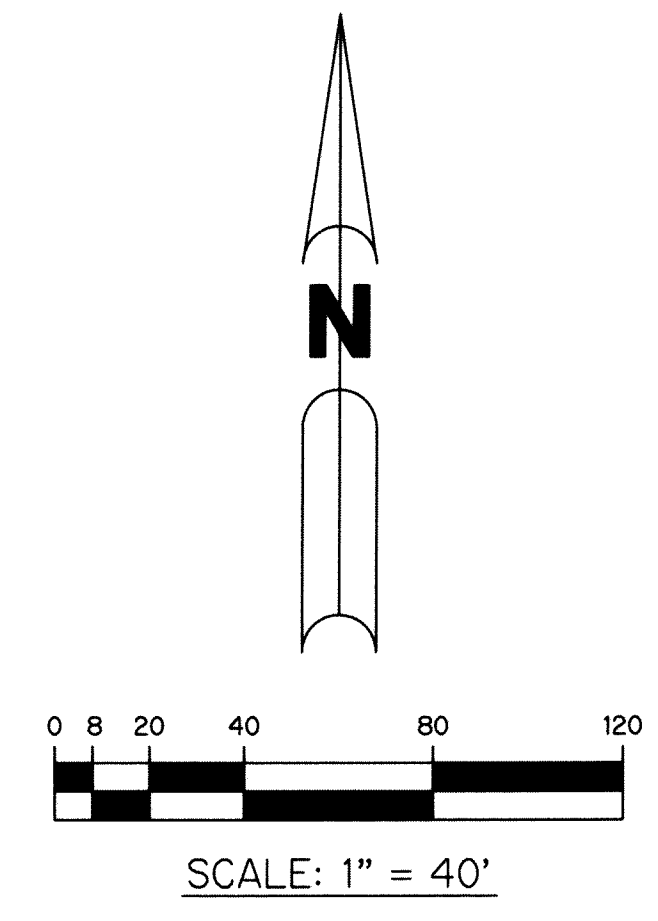
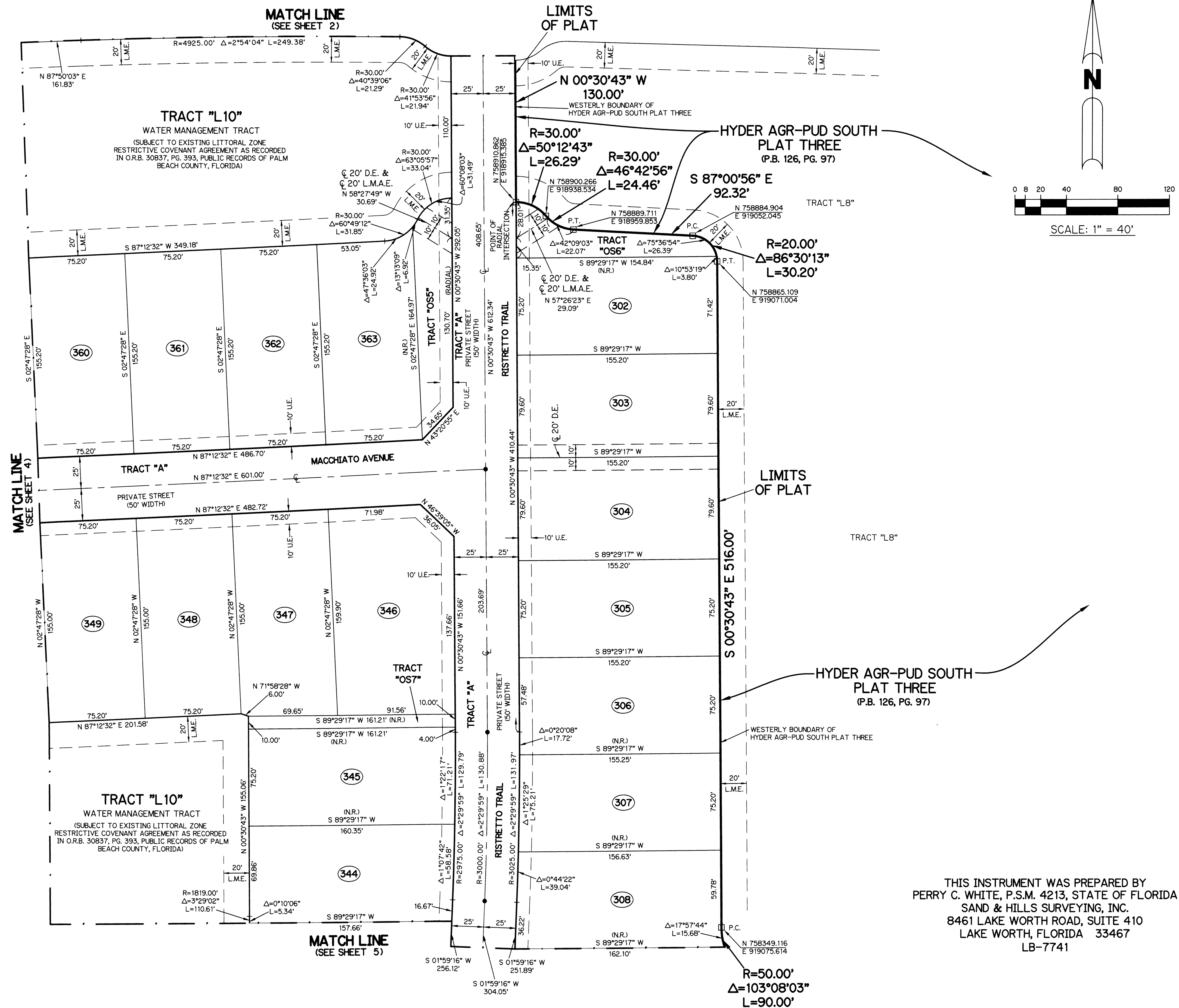


HYDER AGR-PUD SOUTH PLAT FIVE

BEING A REPLAT OF ALL OF TRACTS 44, 52 THROUGH 54, A PORTION OF TRACTS 21, 22, 42, 43, 45, 46, 51, 55, 56 AND A PORTION OF THE ABUTTING ROAD, DYKE AND DITCH RESERVATIONS, 30.00 FEET IN WIDTH, ALL LYING WITHIN BLOCK 70, PALM BEACH FARMS CO. PLAT NO. 3, AS RECORDED IN PLAT BOOK 2, PAGES 45 THROUGH 54, PUBLIC RECORDS, PALM BEACH COUNTY, FLORIDA, LYING IN SECTION 31, TOWNSHIP 46 SOUTH, RANGE 42 EAST.

SHEET 3 OF 6

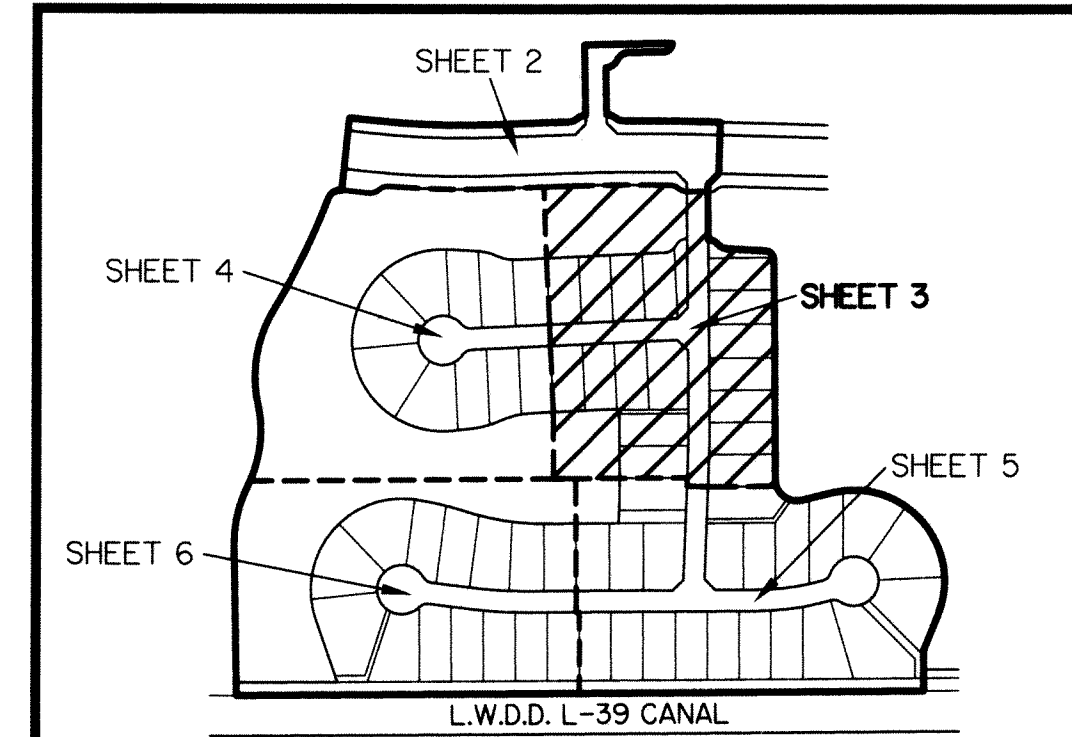
125



- LEGEND:**
- - SET PERMANENT REFERENCE MONUMENT 4"x4" CONCRETE MONUMENT WITH 1.5" DISK STAMPED L.B. #7741
 - - FOUND PERMANENT REFERENCE MONUMENT 4"x4" CONCRETE MONUMENT WITH 1.5" DISK STAMPED L.B. #7741
 - - SET PERMANENT CONTROL POINT NAIL WITH 1.25" DISK STAMPED L.B. #7741
 - - FOUND PERMANENT CONTROL POINT NAIL WITH 1.25" DISK STAMPED L.B. #7741
 - AGR - AGRICULTURAL
 - Δ - DELTA ANGLE
 - BE - BUFFER EASEMENT
 - BLK - BLOCK
 - CB - CHORD BEARING
 - CH - CHORD DISTANCE
 - CL - CENTERLINE
 - DE - DEED BOOK
 - D.E. - PRIVATE DRAINAGE EASEMENT
 - F.P.L. - FLORIDA POWER & LIGHT
 - L - ARC LENGTH
 - L.A.E. - LIMITED ACCESS EASEMENT
 - L.M.A.E. - LAKE MAINTENANCE ACCESS EASEMENT
 - L.M.E. - LAKE MAINTENANCE EASEMENT
 - L.W.D.D. - LAKE WORTH DRAINAGE DISTRICT
 - NR - NON-RADIAL
 - N.T. - NON-TANGENT
 - N.T.S. - NOT TO SCALE
 - O.R.B. - OFFICIAL RECORD BOOK
 - O.E. - MAINTENANCE & ROOF OVERHANG EASEMENT
 - P.B.C.U.E. - PALM BEACH COUNTY UTILITY EASEMENT
 - P.B. - PLAT BOOK
 - P.C. - POINT OF CURVATURE
 - P.C.P. - POINT OF COMPOUND CURVATURE
 - P.C.P. - PERMANENT CONTROL POINT
 - P.D.E. - PUBLIC DRAINAGE EASEMENT
 - PGS. - PAGES
 - P.O.B. - POINT OF BEGINNING
 - P.O.C. - POINT OF COMMENCEMENT
 - P.O.I. - POINT OF INTERSECTION
 - P.R.C. - POINT OF REVERSE CURVATURE
 - P.S.M. - PROFESSIONAL SURVEYOR AND MAPPER
 - P.T. - POINT OF TANGENCY
 - PUD - PLANNED UNIT DEVELOPMENT
 - R - RADIUS
 - RAD - RADIAL
 - R/W - RIGHT-OF-WAY
 - R. & D. - ROAD, DYKE AND DITCH RESERVATION
 - S.T. - SURVEY TIE
 - TYP - TYPICAL
 - U.E. - UTILITY EASEMENT
 - N=780000.00 STATE PLANE COORDINATE VALUE
 - E=930000.00
 - [75] - (TRACT NUMBER), BLOCK 70, PALM BEACH FARMS CO. PLAT NO. 3, P.B. 2, PG. 45

NOTES:
 COORDINATES SHOWN ARE GRID COORDINATES DATUM = NAD 83 (1990 ADJUSTMENT)
 ZONE = FLORIDA EAST ZONE
 LINEAR UNIT = U.S. SURVEY FEET
 COORDINATE SYSTEM = 1983 STATE PLANE TRANSVERSE MERCATOR PROJECTION
 ALL DISTANCES ARE GROUND (UNLESS OTHERWISE NOTED)
 SCALE FACTOR = 1.00002237
 PLAT BEARING = GRID BEARING
 GROUND DISTANCE X SCALE FACTOR = GRID DISTANCE

THIS INSTRUMENT WAS PREPARED BY
 PERRY C. WHITE, P.S.M. 4213, STATE OF FLORIDA
 SAND & HILLS SURVEYING, INC.
 8461 LAKE WORTH ROAD, SUITE 410
 LAKE WORTH, FLORIDA 33467
 LB-7741



KEY MAP
 N.T.S.
 SH0261 SHEET 3 OF 6